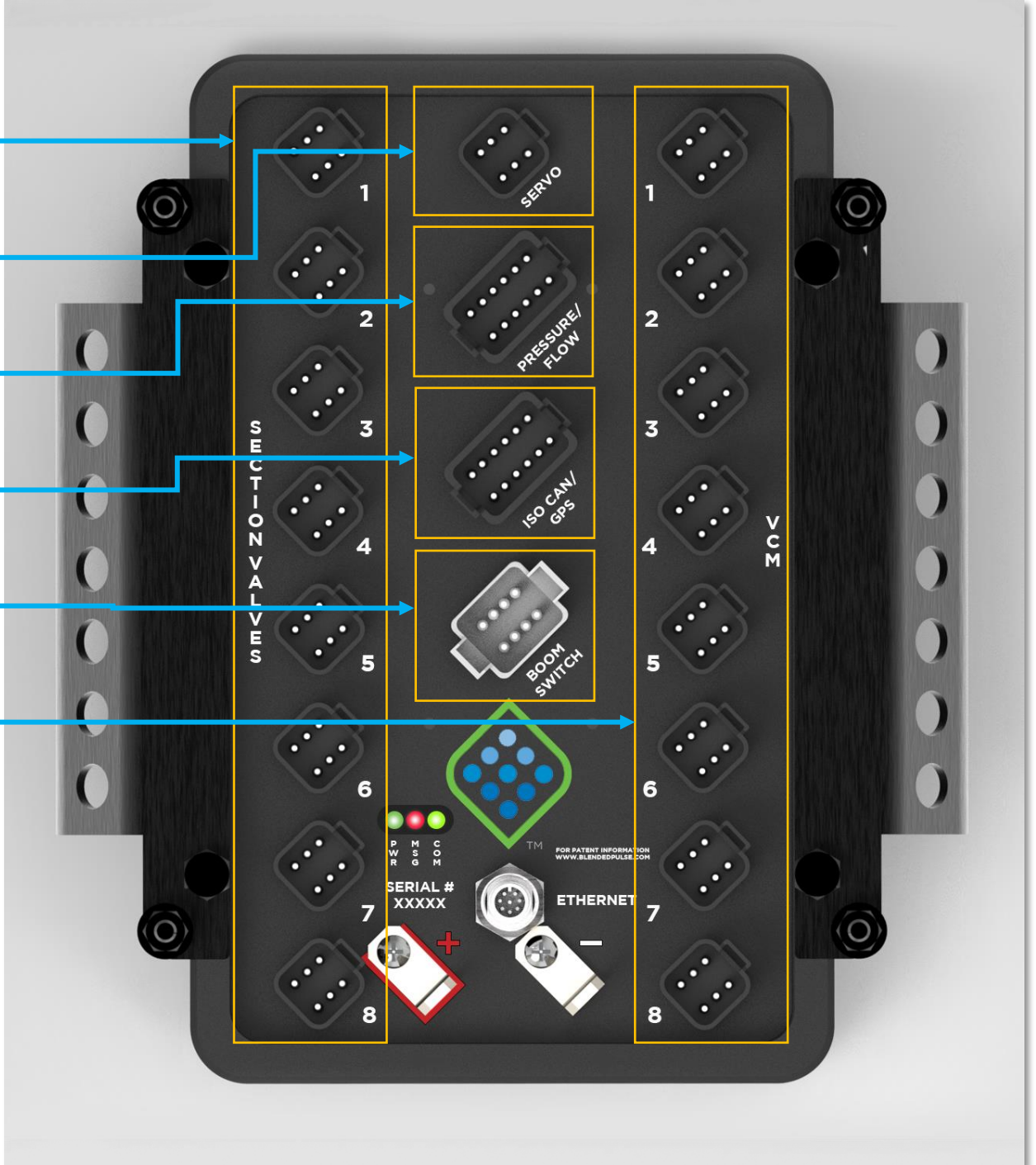
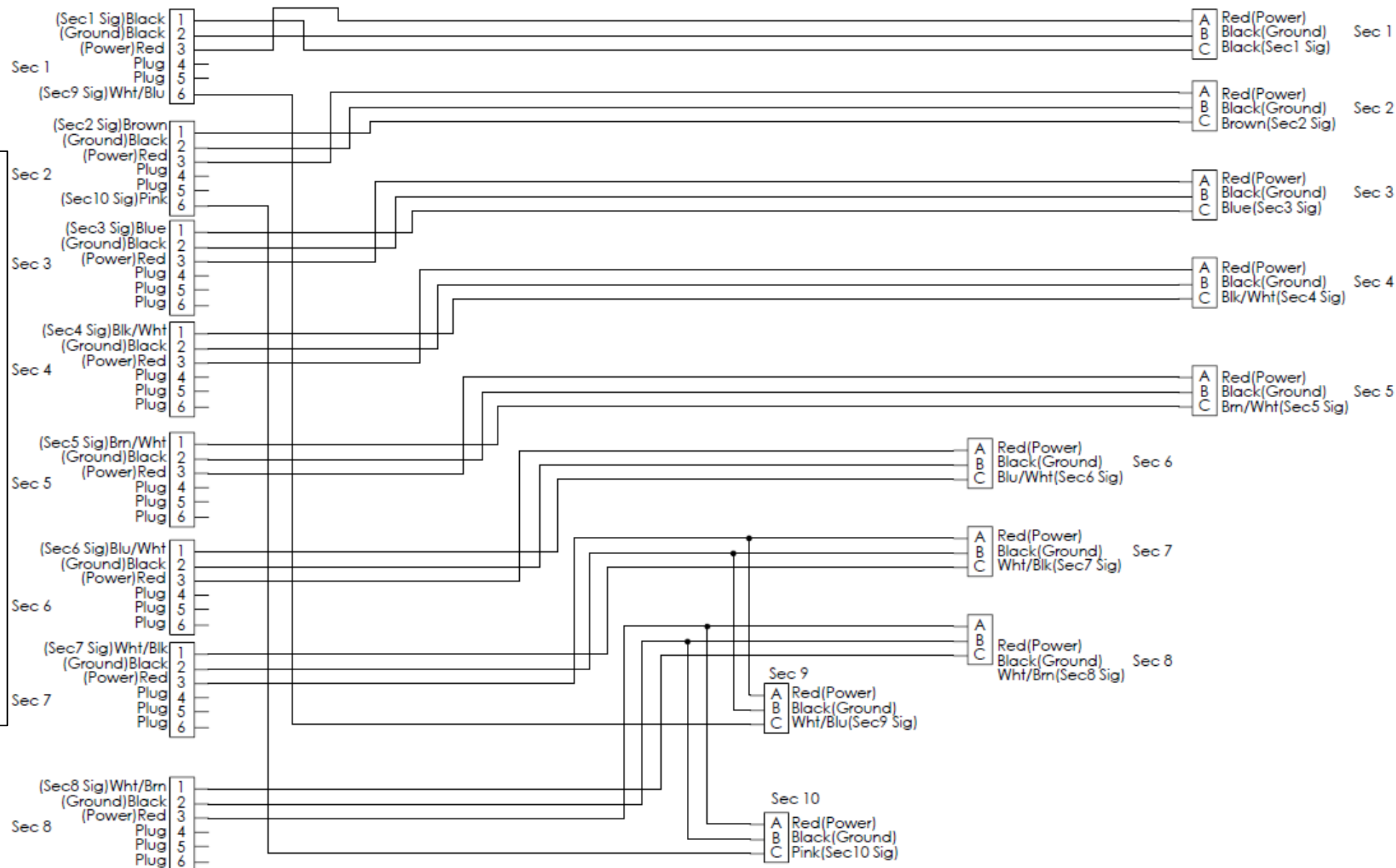


Fast Sprayer

Components and Schematics

- 1 Section Valves
- 2 Servo (PWM Pump)
- 3 Pressure Sensor/Flowmeter
- 4 ISO T Cable
- 5 Section Switch Inputs
- 6 Valve Control Modules
- 7 Fence Row Nozzles
- 8 Power/Gnd
- 9 Solenoid Valves

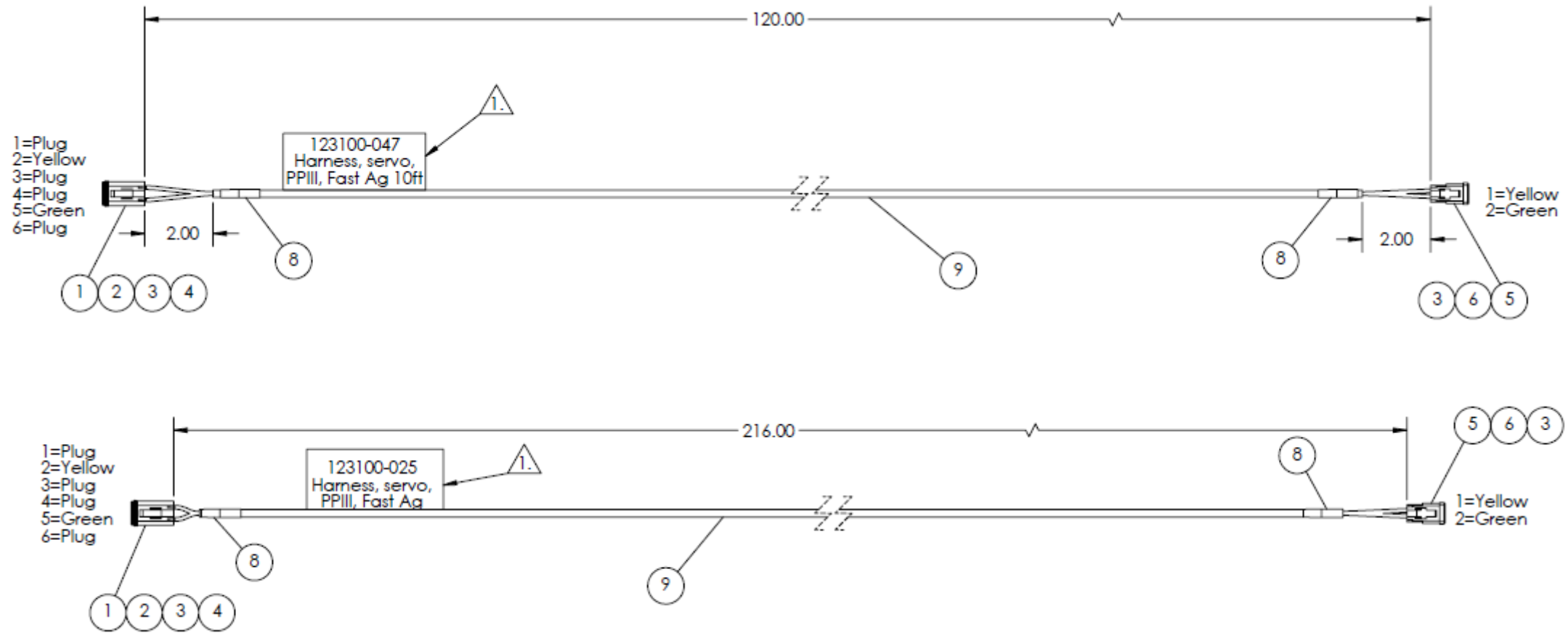


**NOTE:**

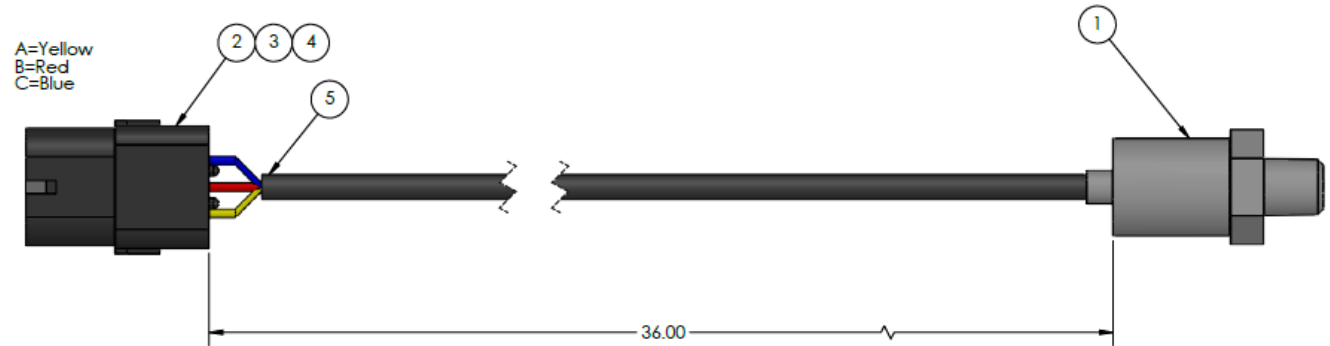
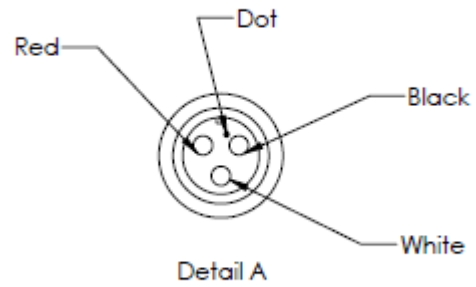
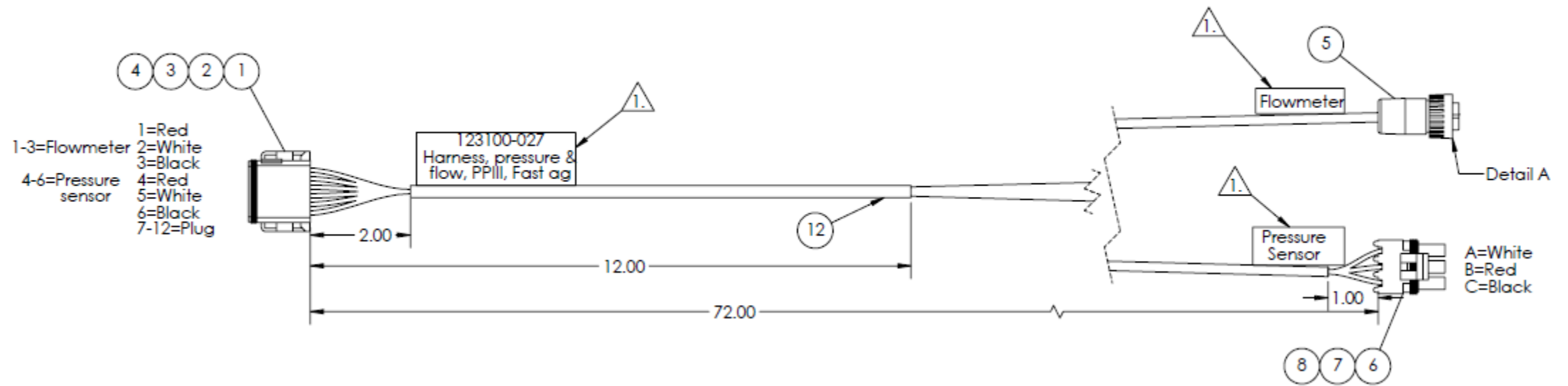
Not all chassis section valve harnesses will populate all 8 Section ports on the gateway hub.

- 123100-029
 - Harness, Sec 1-3
- 123100-030
 - Harness, Sec 4-6
- 123100-043
 - Harness, Sec 1-6
- 123100-042
 - Harness, BAS, 146x20
 - Harness Pictured

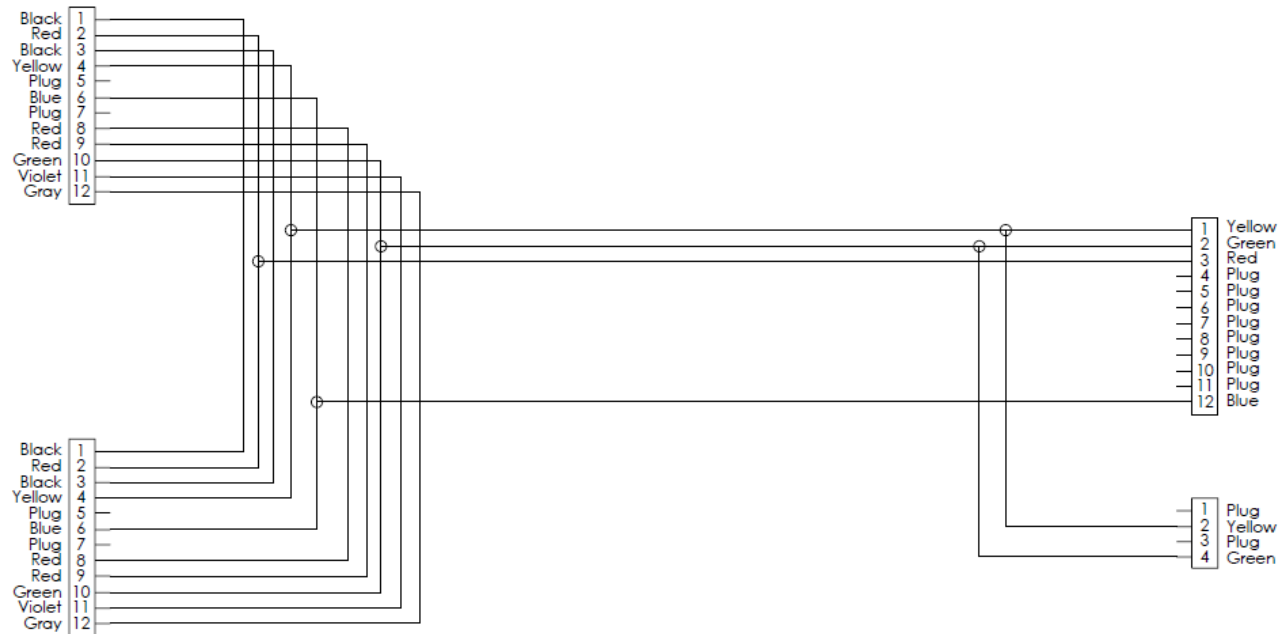
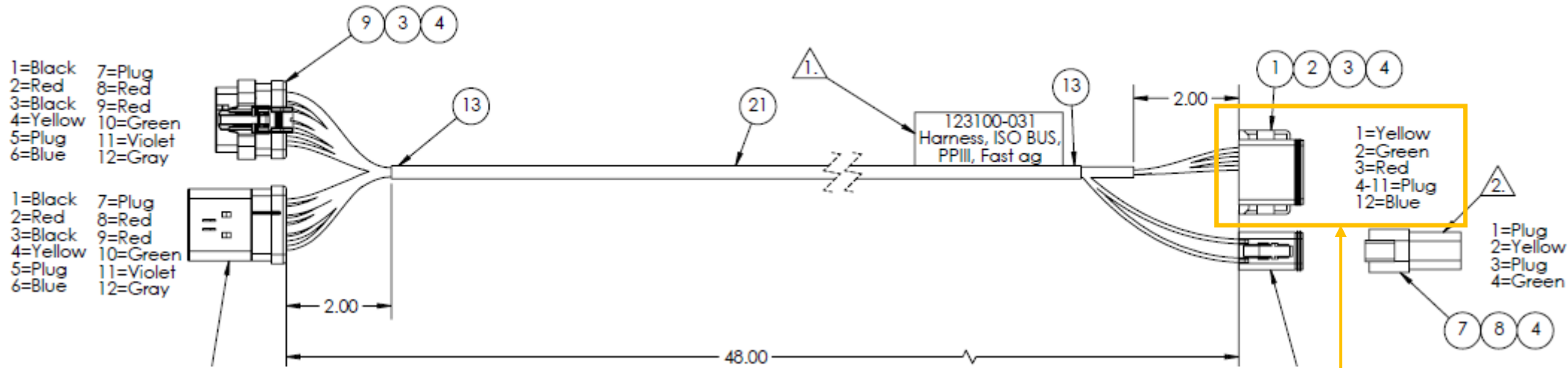
2 Servo (PWM Pump)



3 Pressure Sensor/Flowmeter

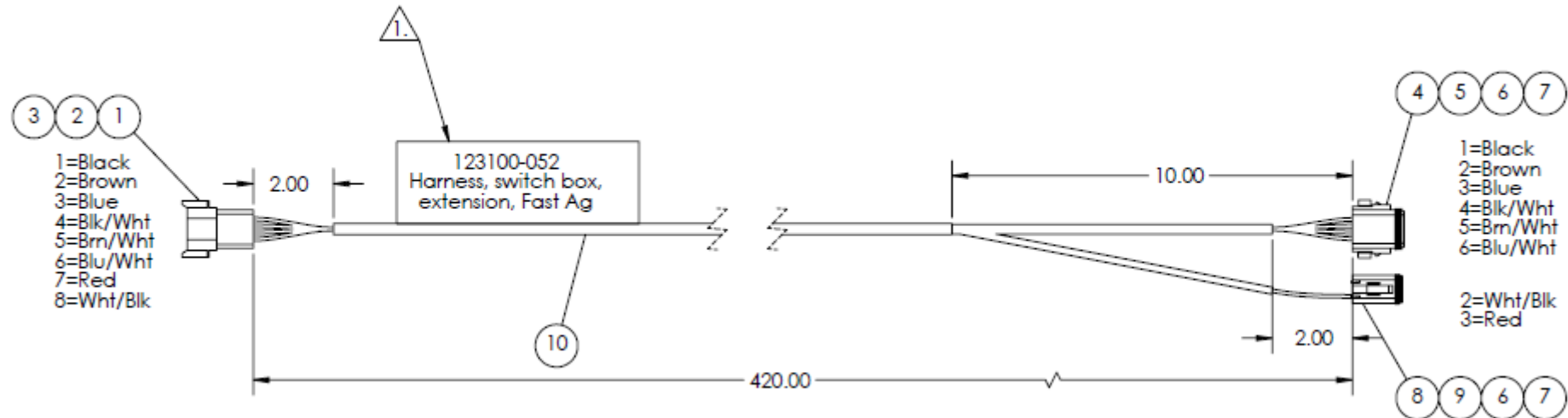
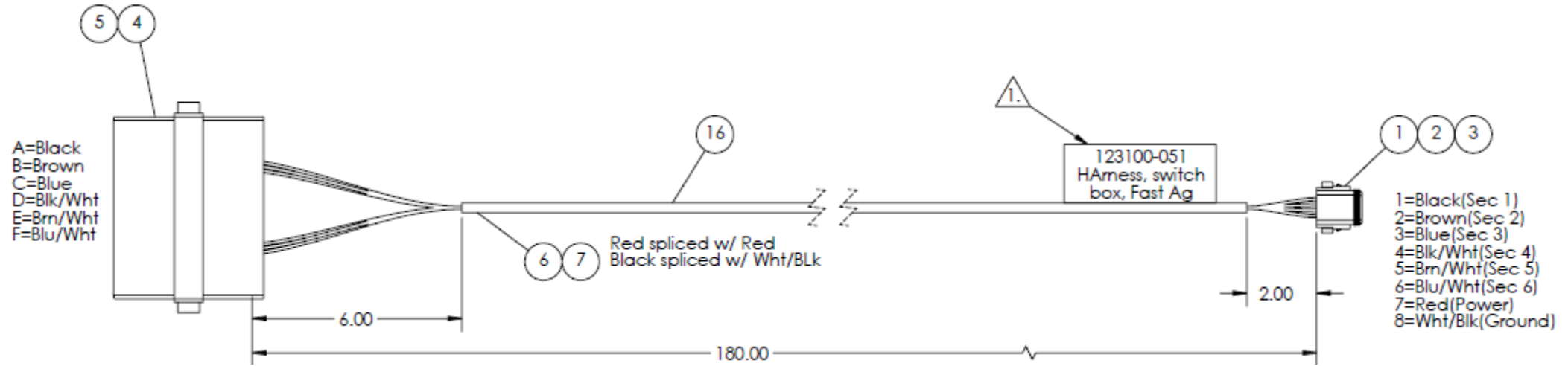


4 ISO T Cable

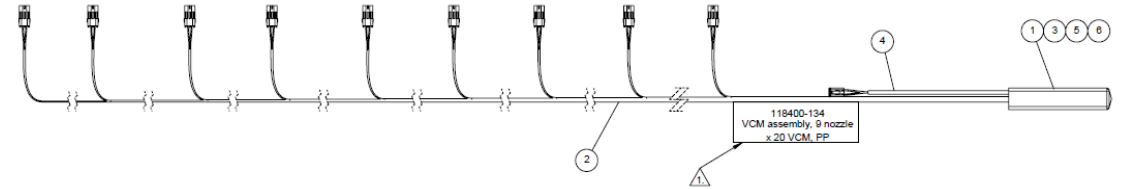
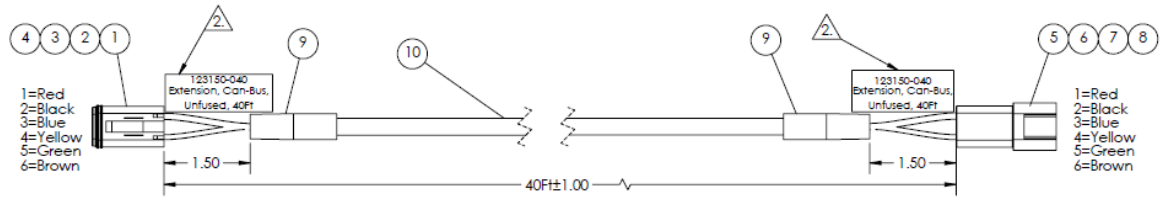


1 = ISO Can Hi
 2 = ISO Can Lo
 3 = ISO Key Switched
 4 – 11 = Plug
 12 = Master Switch

5 Section Switch Inputs (If equipped with switchbox)



6 Valve Control Modules



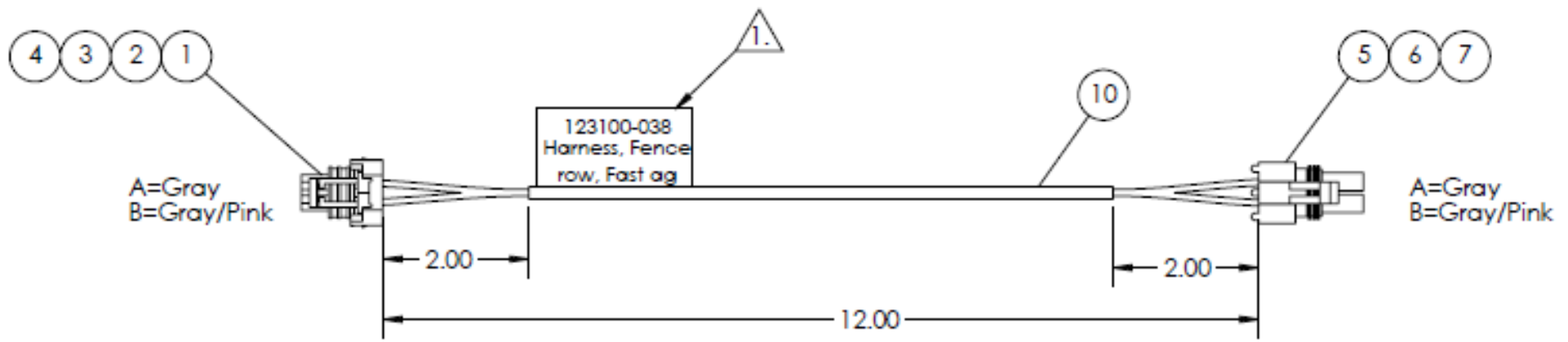
Extensions Part Number 123150-XXX
 Last 3 Digits indicate extension length
 123150-040 = 40' Extension

Valve Control Modules

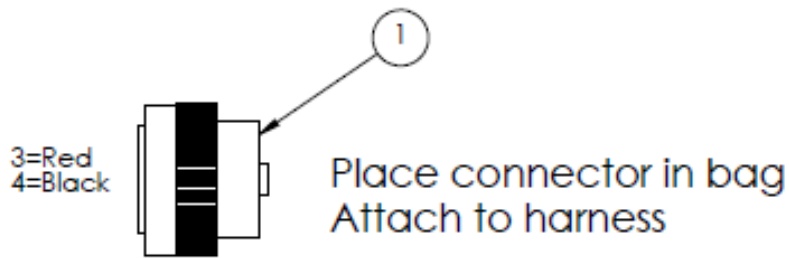
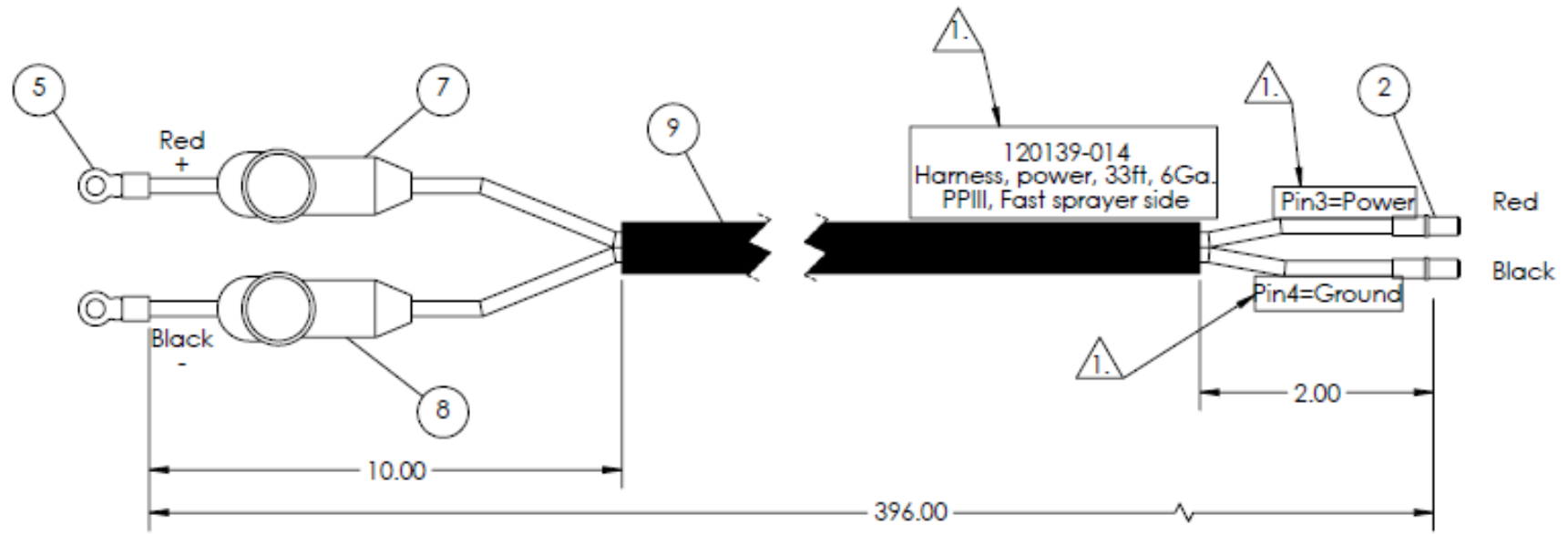
- 118400-126 – VCM Assembly 15 Nozzle x 20" Spacing
- 118400-125 – VCM Assembly 15 Nozzle x 15" Spacing
- 118400-134 – VCM Assembly 9 Nozzle x 20" Spacing
- 118400-135 – VCM Assembly 9 Nozzle x 15" Spacing

Pin Number	Description	Pin Number	Description
1	Power	4	CAN Hi
2	Ground	5	CAN Low
3	Section Signal Out	6	Key Switch

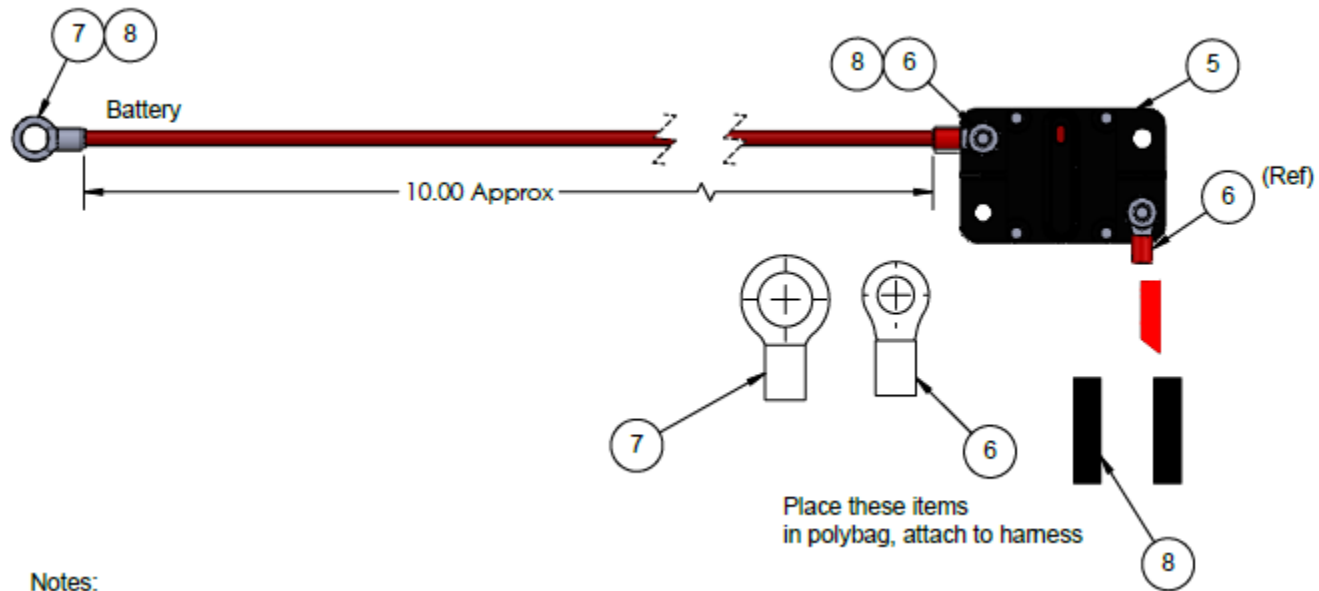
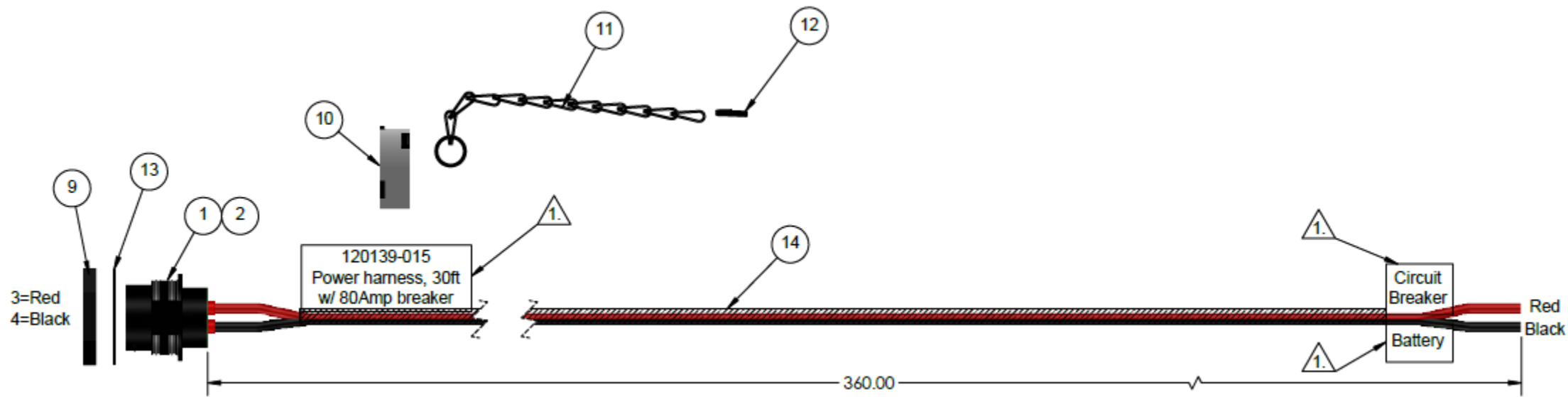
7 Fence Row Nozzles



8 Power/Gnd – Sprayer Side Harness

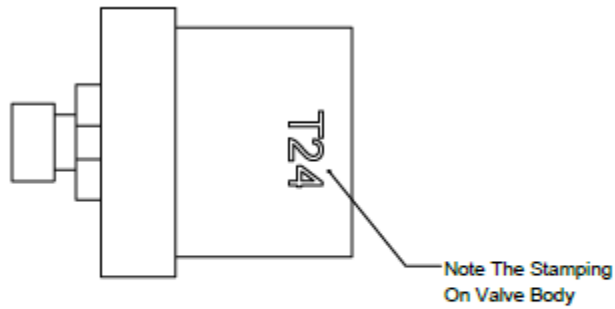
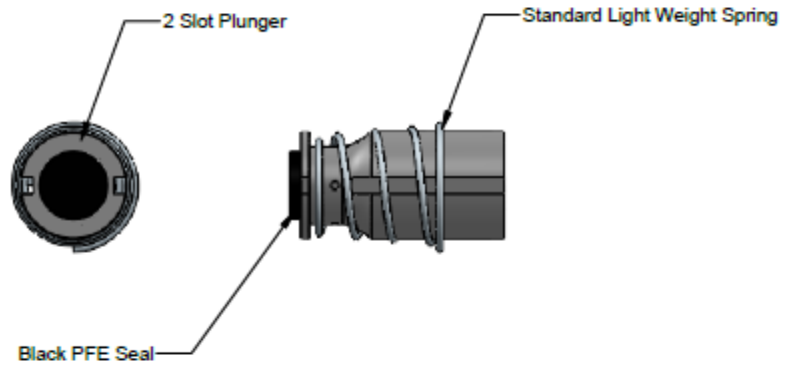
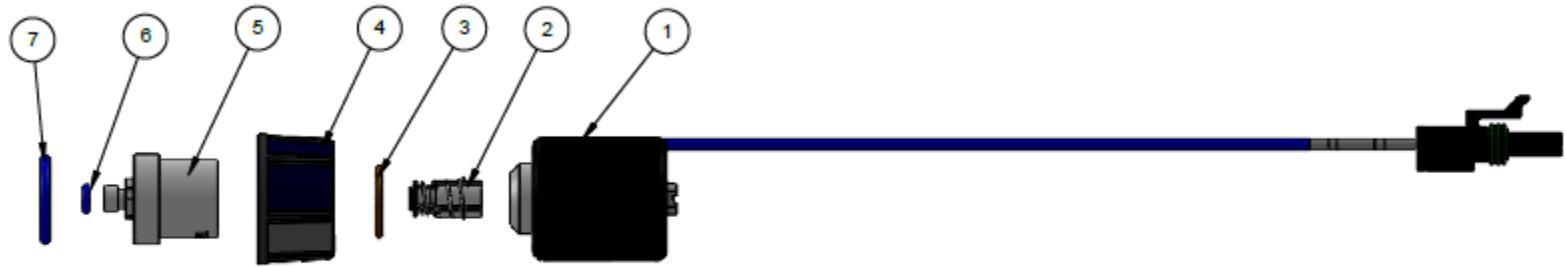


8 Power/Gnd – Tractor Side Harness



Notes:

9 Solenoid Valves



7	715022-202	O-Ring - Blue	1
6	715022-200	O-Ring - Blue	1
5	118188-112	Valve Body T24	1
4	717101-105	Fly Nut, Tee-Jet	1
3	715022-204	O-Ring - Brown	1
2	718009-111	Plunger Assy, Standard, 2 Slot	1
1	825147-011	Coil Assembly, 12W	1
Item	Part Number	Description	Qty