
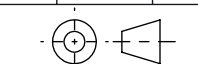
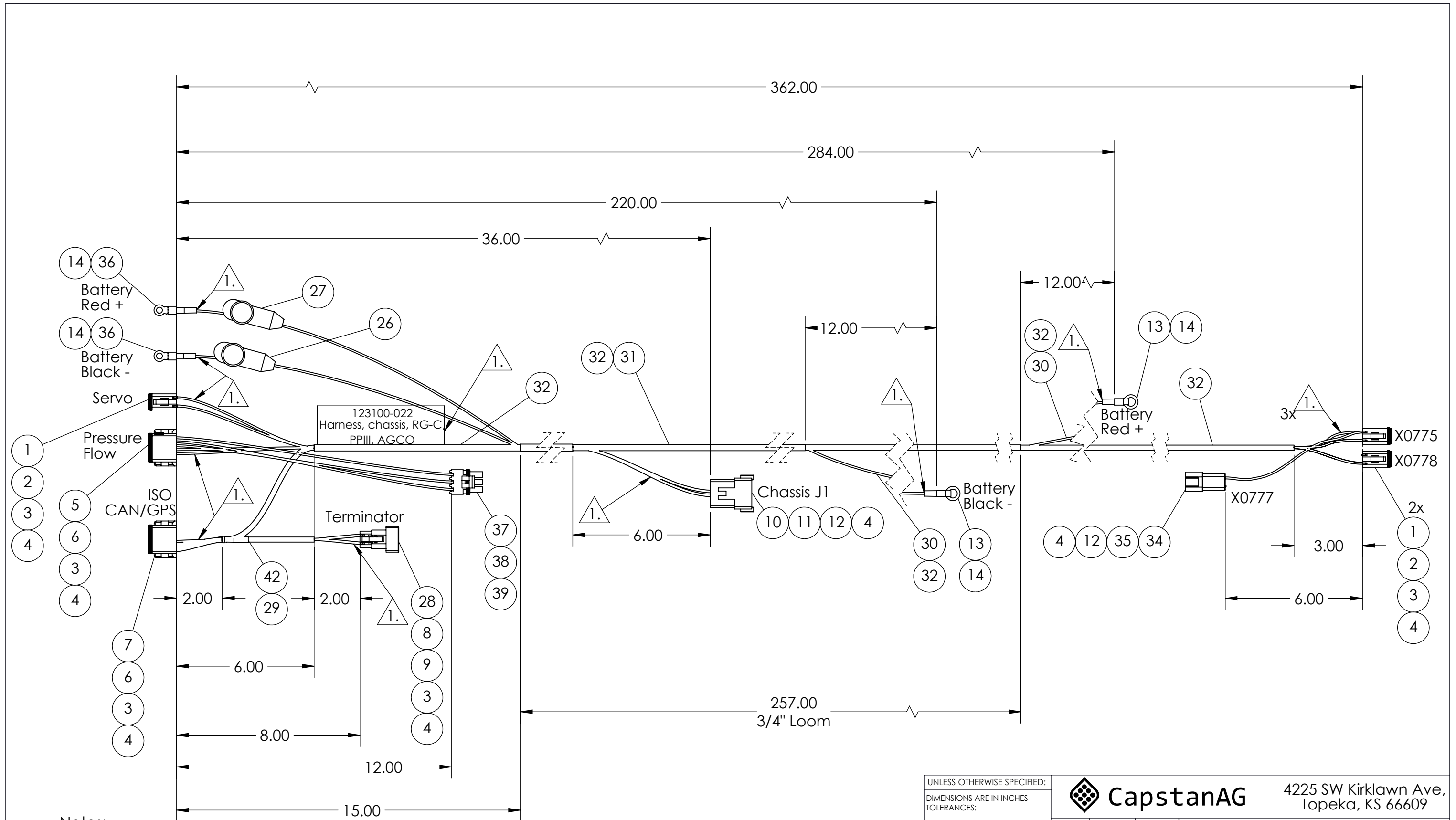

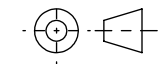


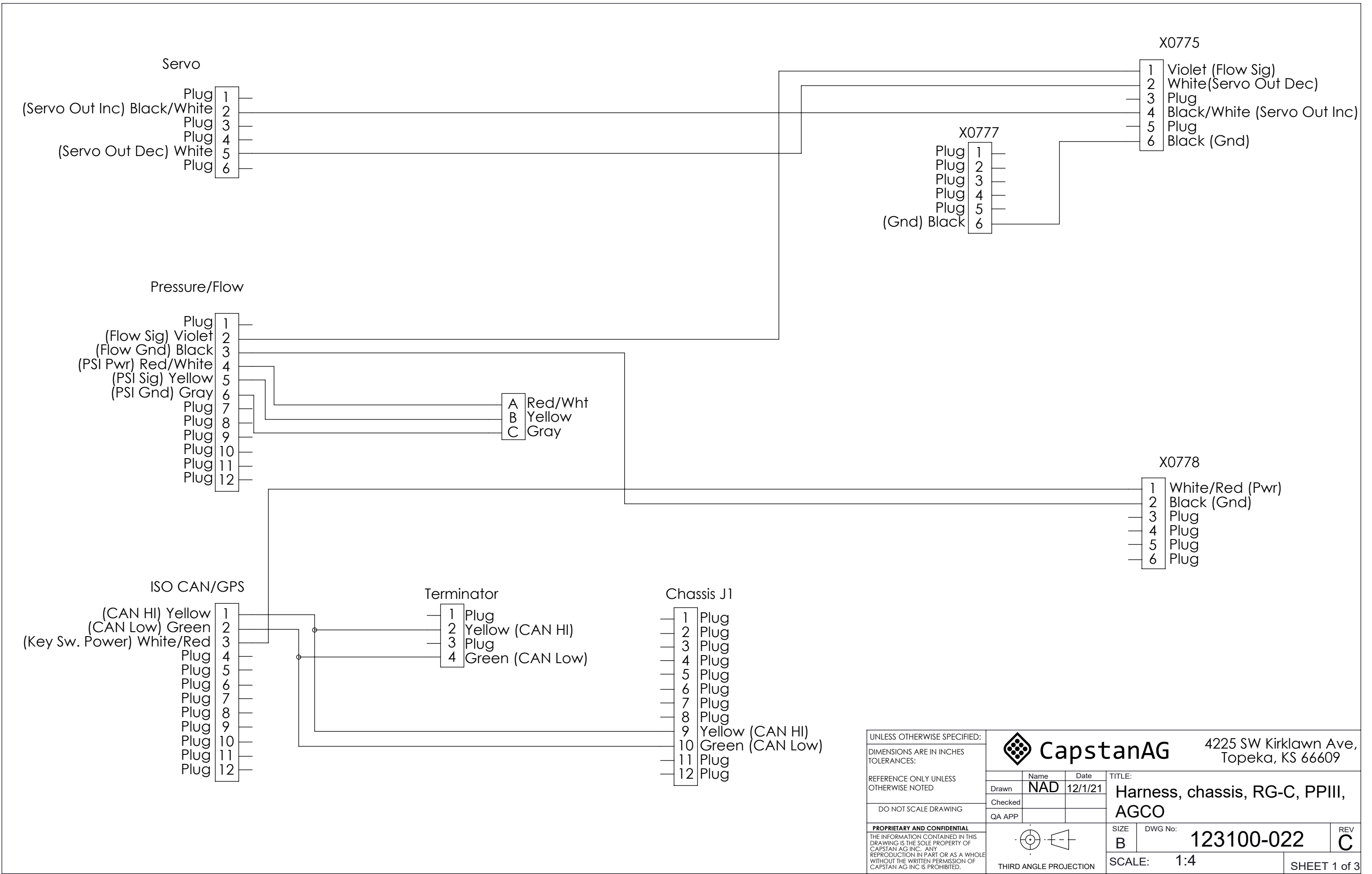
REV.	ECR	DESCRIPTION	DATE	By
A	40497	Production release	1/5/22	NAD
B	40536	Added items 34-41, length 362 was 344, replaced two items 13 with items 36	5/2/22	NAD
C	40592	Item 3 qty 18 was 21, Item 4 qty 43 was 52, Item 6 qty 2 was 3, Item 7 qty 1 was 2, Items 17-19 qty 14 was 363, item 39 qty 3 was 6, Removed items 40-41, Added item 42 p/n 708000-160	5/26/22	NAD

42	708000-160	Shrink tube, 3/8" x 1-1/4"	1	18	708000-182	Wire, 18Ga. Yellow	14																
39	706500-001	Seal, cable, 16-18Ga. Green	3	17	708000-176/9	Wire, 18Ga. Red/White	14																
38	706530-206	Terminal, female, 18-20Ga.	3	16	708000-175/2	Wire, 18Ga. White/Red	363																
37	706500-503	Tower, 3 pin, WP	1	15	708000-137	Wire, twisted pair, 18Ga. Grn/Y	46																
36	715005-136	Terminal ring, 8Ga. 1/4"	2	14	708000-162	Shrink tube, 1/4" x 1-1/4"	4																
35	706530-315	Wedge, receptacle, 6 pin, DT	1	13	715005-143	Terminal, Ring, 8 Ga. 3/8"	2																
34	706530-305	Connector, receptacle, 6 pin, DT	1	12	706530-335	Terminal, pin, 16-18Ga. DT	3																
32	708000-015	Braiding	1	11	706530-321	Wedge, receptacle, 12 pin, DT	1																
31	715005-181	Loom, corrugated split, 5/8"	257	10	706530-311	Connector, Receptacle, 12 pin, 14-18Ga.	1																
30	715005-179	Loom, corrugated split, 1/4"	30	9	706530-328	Wedge, plug, 4 pin, DT	1																
29	708000-159	Shrink tube, 3/16" x 1-1/4"	2	8	706530-326	Connector, plug, 4 pin, DT	1																
28	123000-113	PPIII CAN terminator assy	1	7	706530-312	Connector, plug, 12 pin, DT	1																
27	705726-119	Battery boot, Red	1	6	706530-322	Wedge, plug, 12 pin, 14-18Ga. DT	2																
26	705726-118	Battery boot, Black	1	5	706530-290	Plug, 12 pin, 14-18Ga. DT, B key	1																
25	708000-142	Wire, 8Ga. Red	284	4	706530-346	Plug, cavity, White	43																
24	708000-141	Wire, 8Ga. Black	220	3	706530-336	Terminal, socket, 16-18Ga.	18																
23	708000-185	Wire, 18Ga. Violet	363	2	706530-316	Wedge, plug, 6 pin, DT	3																
22	708000-177	Wire, 18Ga. Black	370	1	706530-372	Connector, plug, 6 pin 14-18Ga. DT	3																
21	708000-177/9	Wire, 18Ga. Black/White	363	ITEM PART NUMBER DESCRIPTION QTY.																			
20	708000-175	Wire, 18Ga. White	363	UNLESS OTHERWISE SPECIFIED: DIMENSIONS ARE IN INCHES TOLERANCES:																			
19	708000-184	Wire, 18Ga. Gray	14	REFERENCE ONLY UNLESS OTHERWISE NOTED																			
ITEM PART NUMBER DESCRIPTION QTY.				DO NOT SCALE DRAWING																			
				 CapstanAG 4225 SW Kirklawn Ave, Topeka, KS 66609																			
				<table border="1"> <tr> <td>Drawn</td> <td>Name</td> <td>Date</td> <td>TITLE:</td> </tr> <tr> <td></td> <td>NAD</td> <td>12/1/21</td> <td>Harness, chassis, RG-C, PPIII, AGCO</td> </tr> <tr> <td>Checked</td> <td></td> <td></td> <td></td> </tr> <tr> <td>QA APP</td> <td></td> <td></td> <td></td> </tr> </table>				Drawn	Name	Date	TITLE:		NAD	12/1/21	Harness, chassis, RG-C, PPIII, AGCO	Checked				QA APP			
Drawn	Name	Date	TITLE:																				
	NAD	12/1/21	Harness, chassis, RG-C, PPIII, AGCO																				
Checked																							
QA APP																							
				 THIRD ANGLE PROJECTION																			
				<table border="1"> <tr> <td>SIZE</td> <td>DWG No:</td> <td>REV</td> </tr> <tr> <td>B</td> <td>123100-022</td> <td>C</td> </tr> <tr> <td colspan="2">SCALE: 1:3</td> <td>SHEET 1 of 3</td> </tr> </table>				SIZE	DWG No:	REV	B	123100-022	C	SCALE: 1:3		SHEET 1 of 3							
SIZE	DWG No:	REV																					
B	123100-022	C																					
SCALE: 1:3		SHEET 1 of 3																					



Notes:
 1. Label as required.

UNLESS OTHERWISE SPECIFIED: DIMENSIONS ARE IN INCHES TOLERANCES:		 CapstanAG 4225 SW Kirklawn Ave, Topeka, KS 66609	TITLE:	
REFERENCE ONLY UNLESS OTHERWISE NOTED			Name Drawn NAD 12/1/21	Harness, chassis, RG-C, PPIII, AGCO
DO NOT SCALE DRAWING		Checked QA APP	DWG No: 123100-022	
PROPRIETARY AND CONFIDENTIAL THE INFORMATION CONTAINED IN THIS DRAWING IS THE SOLE PROPERTY OF CAPSTAN AG INC. ANY REPRODUCTION IN PART OR AS A WHOLE WITHOUT THE WRITTEN PERMISSION OF CAPSTAN AG INC IS PROHIBITED.		 THIRD ANGLE PROJECTION	SIZE B	REV C
SCALE: 1:4			SHEET 1 of 3	



UNLESS OTHERWISE SPECIFIED:
DIMENSIONS ARE IN INCHES
TOLERANCES:

REFERENCE ONLY UNLESS
OTHERWISE NOTED

DO NOT SCALE DRAWING

PROPRIETARY AND CONFIDENTIAL
THE INFORMATION CONTAINED IN THIS
DRAWING IS THE SOLE PROPERTY OF
CAPSTAN AG INC. ANY
REPRODUCTION IN PART OR AS A WHOLE
WITHOUT THE WRITTEN PERMISSION OF
CAPSTAN AG INC IS PROHIBITED.

CapstanAG 4225 SW Kirklawn Ave,
Topeka, KS 66609

Drawn	Name	Date	TITLE:
Checked	NAD	12/1/21	Harness, chassis, RG-C, PPIII, AGCO
QA APP			

SIZE B DWG No: **123100-022** REV **C**

SCALE: 1:4 SHEET 1 of 3

THIRD ANGLE PROJECTION