

INSTALLATION INSTRUCTIONS - 122200-212 Rev. A

PinPoint™ II Cab Kit - 930071D1

Models: AGCO RoGator C Series Sprayers 2018 and After

BEFORE INSTALLATION

IMPORTANT: For safety information, refer to the system and machine manuals.

PARTS LIST

Part Number	Description	Qty
122200-210	PinPoint™ II for Sprayers Operator and Maintenance Manual	1
118669-051	PinPoint™ II Cab Harness for AGCO	1
118603-112	1-1/2 in RAM Ball Mount	1
120053-001	GPS Adapter Cable for AGCO RoGator C Series	1

INSTALL THE CAB HARNESS

FIGURE 1:

1. Install the PinPoint™ II CapView II display (1), from the boom kit, in the cab using the RAM ball mount.
2. Connect the cab harness to the CapView II display for power and GPS.
3. Route the cab harness along the right side of the cab above the window.
4. Put the PinPoint™ II for Sprayers Operator and Maintenance Manual in the yellow document bag.



FIGURE 1

FIGURE 2:

5. Then route the cab harness under the B-post (1) plastic cover, but outside of the metal structure.
6. Continue to route the harness behind the cup holder/auxiliary power plastic tray (2).



FIGURE 2

FIGURE 3:

7. Connect the RS232 GPS connector to the accessory port (1) Ref Des-C34. If not available, use the GPS adapter cable (2) (PN 120053-001) to connect to AGCO PN -X5085.

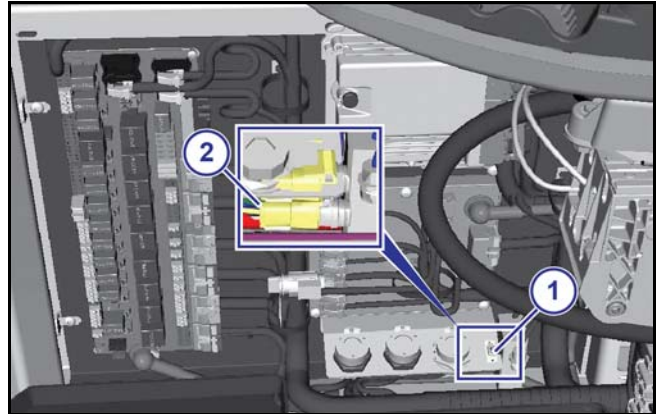


FIGURE 3

FIGURE 4:

8. Route the rest of the cab harness toward the back panel of the cab where the electrical bulkhead is located.
9. Connect the 2-pin Deutsch DT connector (1) on the cab harness to the X66-Remote Engage SW connector.

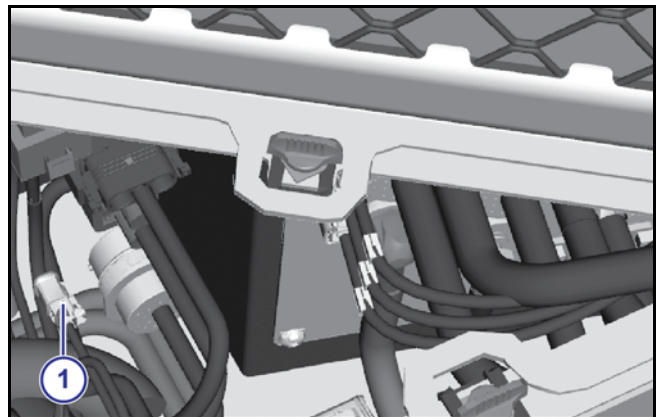


FIGURE 4

FIGURE 5:

10. Connect the 8-pin Deutsch DT bulkhead connector to the electrical bulkhead (1) as shown.
11. If the GPS adapter harness is not used, put it in the document bag.

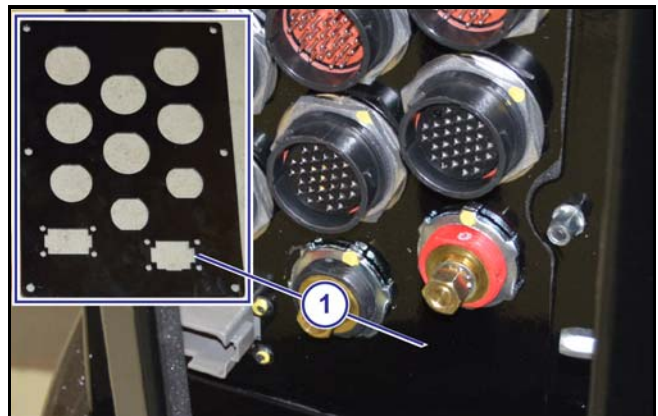


FIGURE 5